



US00D478981S

(12) **United States Design Patent**
Frampton

(10) **Patent No.:** **US D478,981 S**
(45) **Date of Patent:** **** Aug. 26, 2003**

- (54) **COMBINED LATTICE MOTOR HOUSING AND LIGHT FIXTURE UNIT FOR A CEILING FAN**
- (75) Inventor: **Thomas C. Frampton**, Indianapolis, IN (US)
- (73) Assignee: **Fanimation Design & Manufacturing, Inc.**, Lebanon, IN (US)
- (**) Term: **14 Years**

D410,100 S	5/1999	Jaspers-Fayer	
6,019,577 A	2/2000	Dye	
D426,879 S	* 6/2000	Gajewski D23/377
D435,094 S	12/2000	Bucher	
D438,950 S	3/2001	Frampton	
6,213,617 B1	4/2001	Barker	
D443,926 S	6/2001	Frampton	
6,247,894 B1	6/2001	Moody	

- (21) Appl. No.: **29/162,263**
- (22) Filed: **Jun. 13, 2002**

Related U.S. Application Data

- (63) Continuation of application No. 29/153,796, filed on Jan. 11, 2002, now abandoned.
- (51) **LOC (7) Cl.** **23-04**
- (52) **U.S. Cl.** **D23/411**
- (58) **Field of Search** D23/411, 377, D23/379, 385; 416/5; D26/59, 51, 72, 81-86, 88; 392/364; 362/96

(56) **References Cited**

U.S. PATENT DOCUMENTS

2,079,044 A	5/1937	Santmyer	
D133,120 S	* 7/1942	Spear D23/377
4,132,360 A	1/1979	Lee, Jr.	
4,342,073 A	7/1982	Ranten	
D313,467 S	1/1991	Frampton	
5,195,870 A	3/1993	Liu	
D344,794 S	3/1994	Galler	
5,292,228 A	3/1994	Dye	
5,439,352 A	8/1995	Line	
5,440,459 A	8/1995	Chan	
5,528,469 A	6/1996	Todd, Jr.	
D373,629 S	9/1996	Chan	
D376,008 S	11/1996	Chan	
5,672,002 A	9/1997	Todd, Jr.	
D403,061 S	* 12/1998	Jaspers-Fayer et al. D23/377
D408,074 S	* 4/1999	Tai D23/377

OTHER PUBLICATIONS

Clem Labine's Traditional Building, "A Fan-tastic Ceiling Accessory," magazine article, Nov./Dec. 1997, USA.
 Architectural Antiques—Andy Thornton, "Fan Systems," Catalog No. 12, First Edition, Mar. 1994, USA.
 American Homestyle & Gardening, "The Islander Fan," magazine article, Aug./Sep. 1995, USA.
 Fanimation, "The Islander," promotional piece, date unknown, USA.
 Fanimation, "The Palisade," promotional piece, date unknown, USA.

(List continued on next page.)

Primary Examiner—Lisa Lichtenstein
 (74) *Attorney, Agent, or Firm*—Michael A. Myers; Bingham McHale LLP

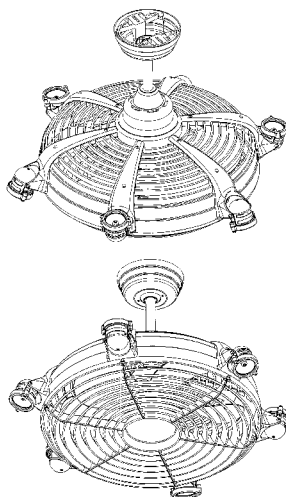
(57) **CLAIM**

The ornamental design for a combined lattice motor housing and light fixture unit for a ceiling fan, as shown.

DESCRIPTION

FIG. 1 is a side view of the combined lattice motor housing and light fixture unit for a ceiling fan showing my new design;
 FIG. 2 is another side view of the design of FIG. 1;
 FIG. 3 is a top view of the design of FIG. 1;
 FIG. 4 is a bottom view of the design of FIG. 1;
 FIG. 5 is an elevated perspective view of the top of the design of FIG. 1; and,
 FIG. 6 is an elevated perspective view of the bottom of the design of FIG. 1.

1 Claim, 6 Drawing Sheets



OTHER PUBLICATIONS

Winnower Fan Co. Inc., advertising brochure, p. 20, Ceiling Fan A.

Fanimation, "Unique Ceiling, Wall & Floor Mounted Fans," catalog, Jan. 2000, USA.

Emerson, "Ceiling Fans Research & Development" catalog, Jan. 2001, USA.

"Hampton Bay," promotional piece, date unknown, USA.

The Beacon, "Neon is a gas: local firm produces signs, architectural lighting," Newspaper article, Aug. 1998, USA.

Nicor Website: www.nicorlighting.com, Jul. 5, 2002, various ceiling fan photographs.

Regency Ceiling Fans, "Tropic Air" promotional piece brochure, Copyright 2001, USA.

Furniture Style, "Tahitian Ceiling Fan," magazine article, Concord product advertisement, Dec. 2001, USA.

Home Lighting & Accessories, "Vintage Crown Collection," magazine article, Concord product advertisement, Dec. 2001, USA.

Fanimation, "Unique Ceiling, Wall & Floor Fans," catalog, Jan. 2002, USA.

* cited by examiner

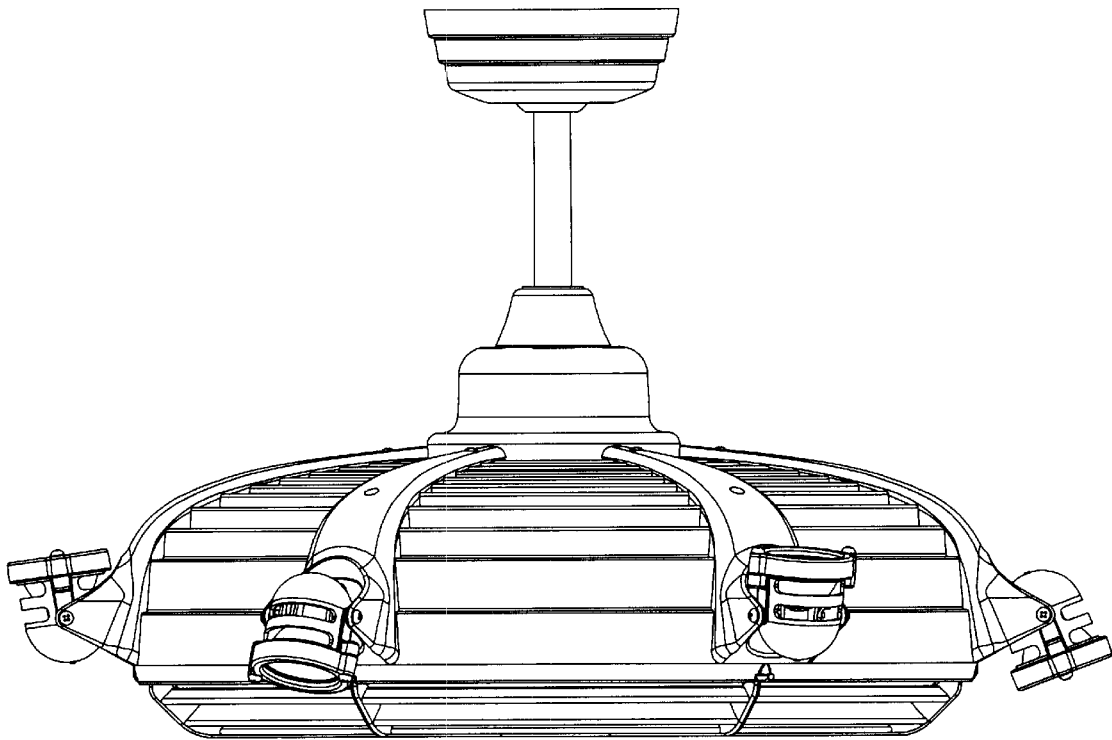


Fig. 1

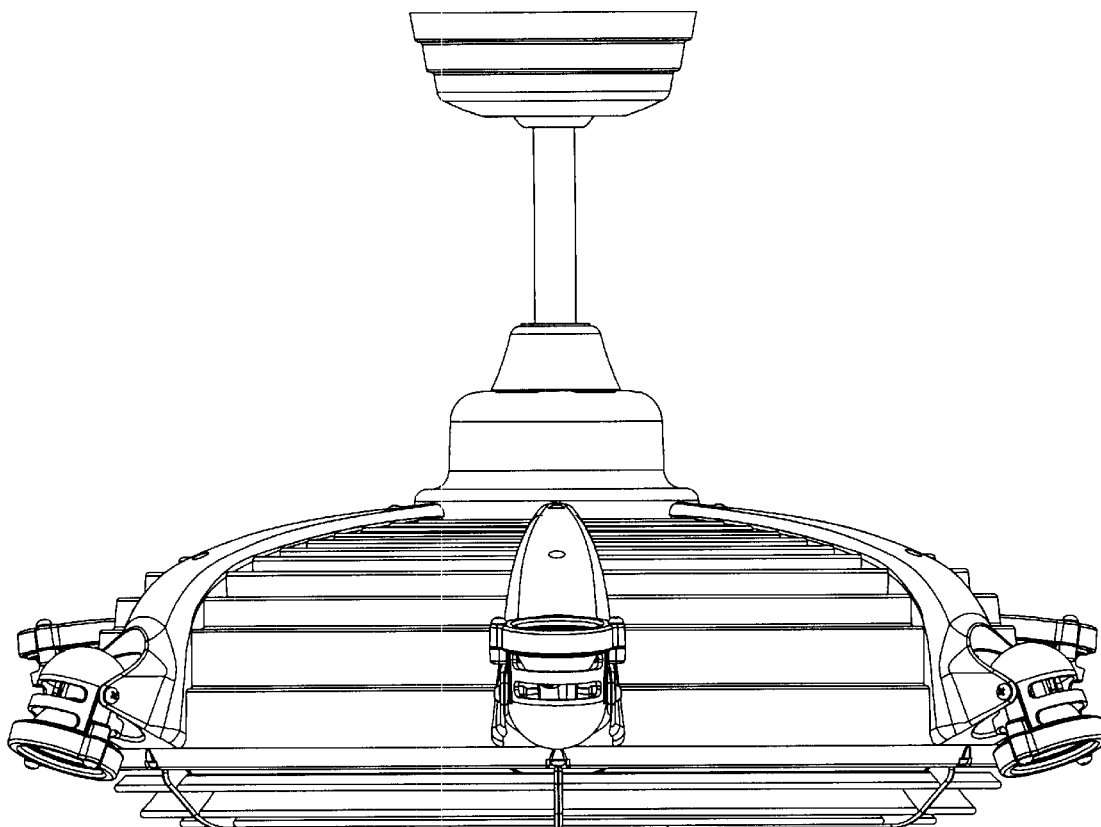


Fig. 2

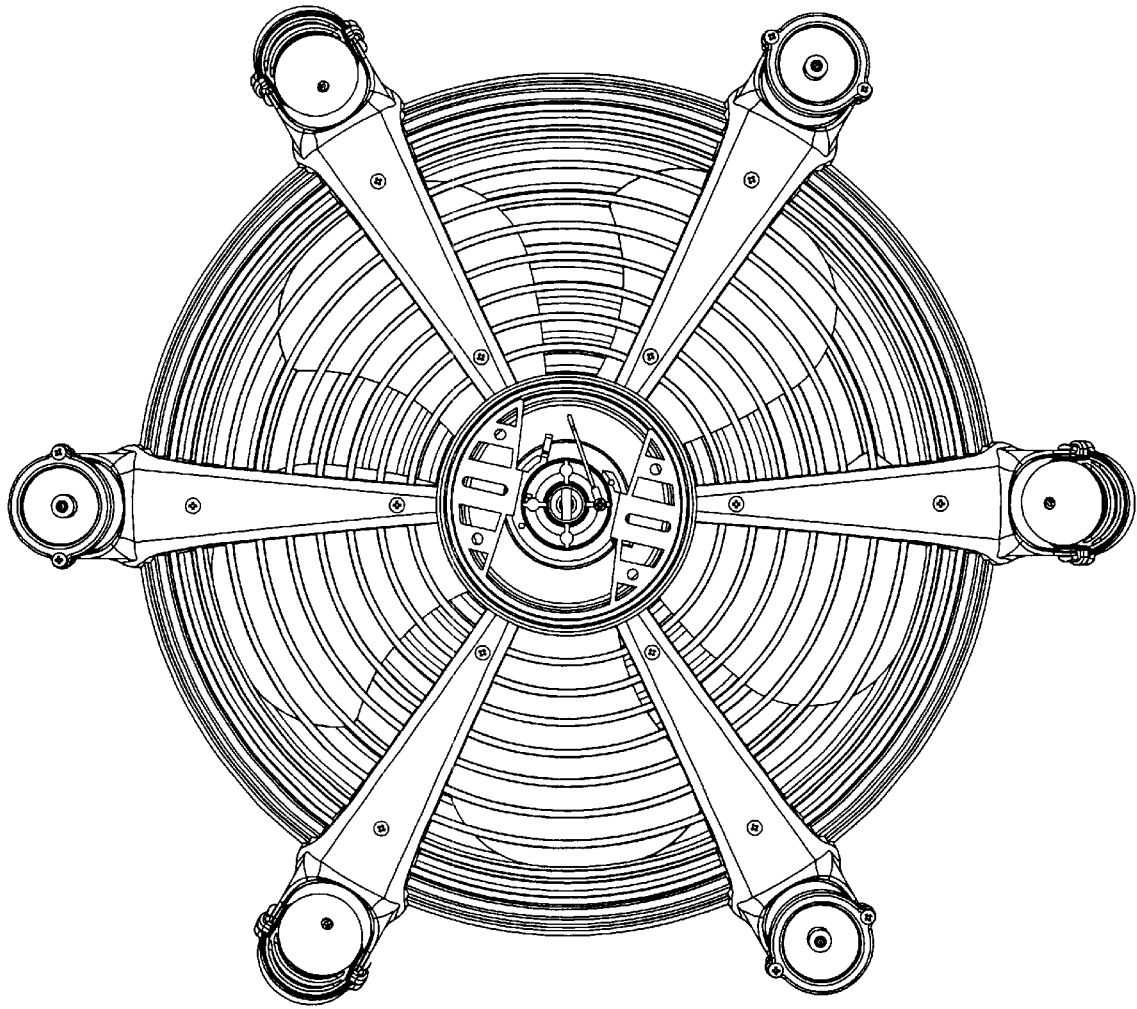


Fig. 3

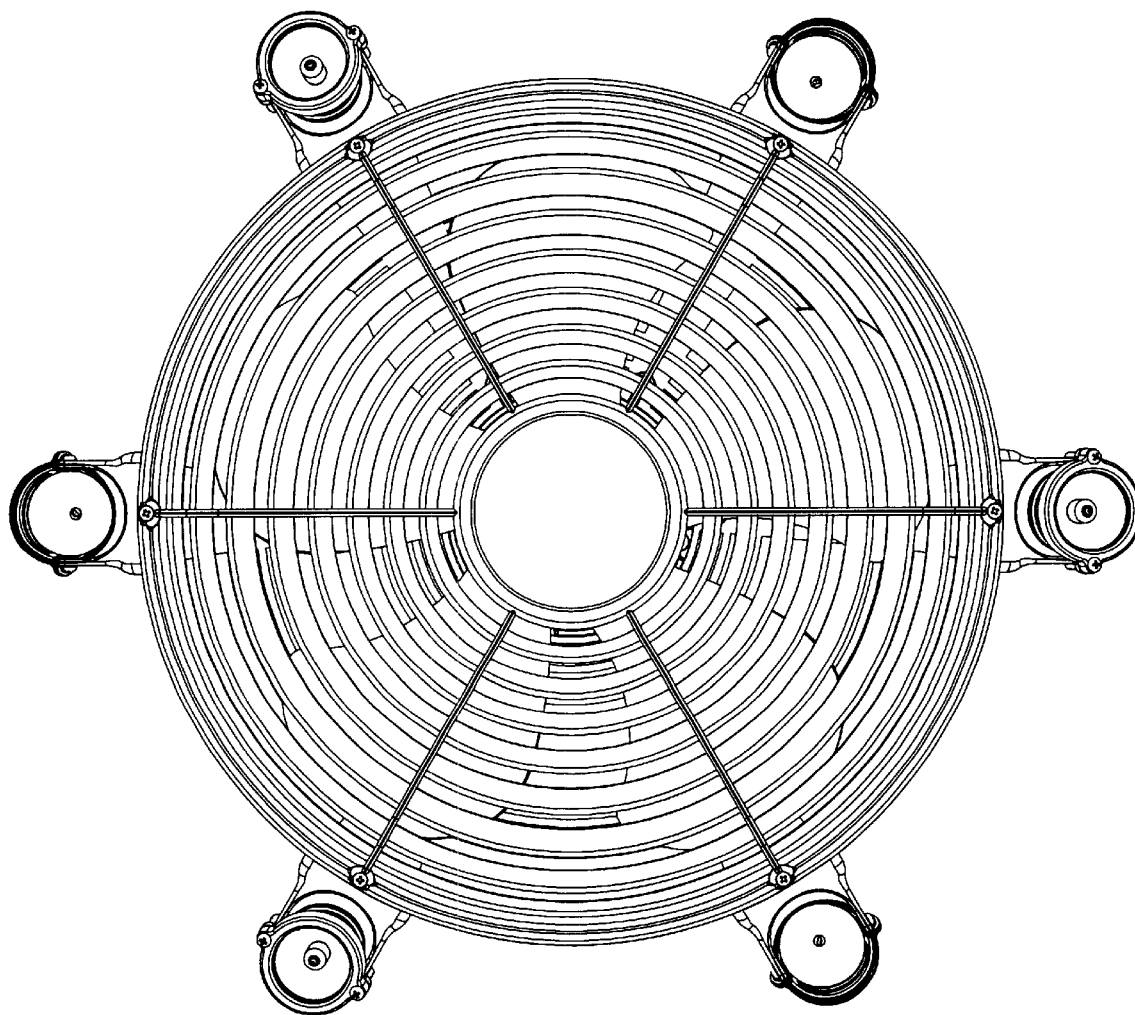


Fig. 4

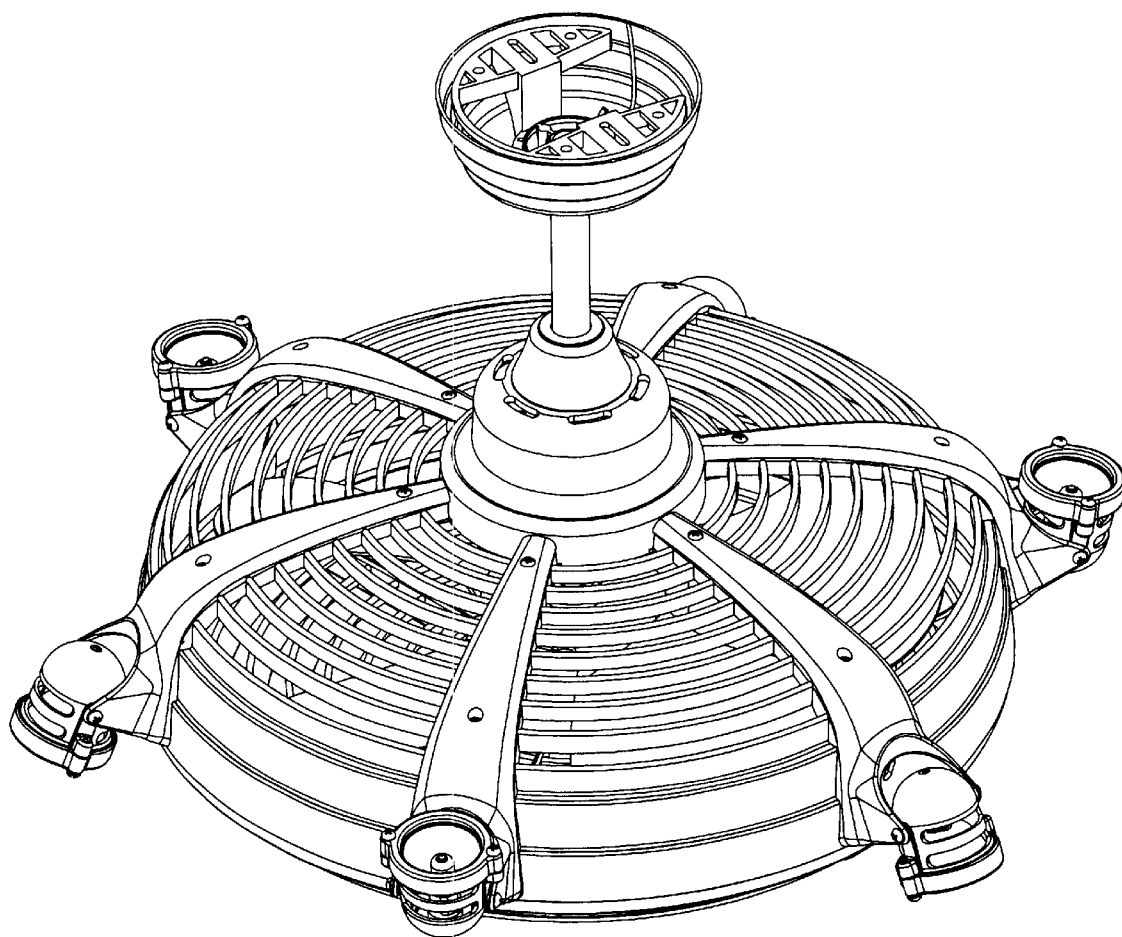


Fig. 5

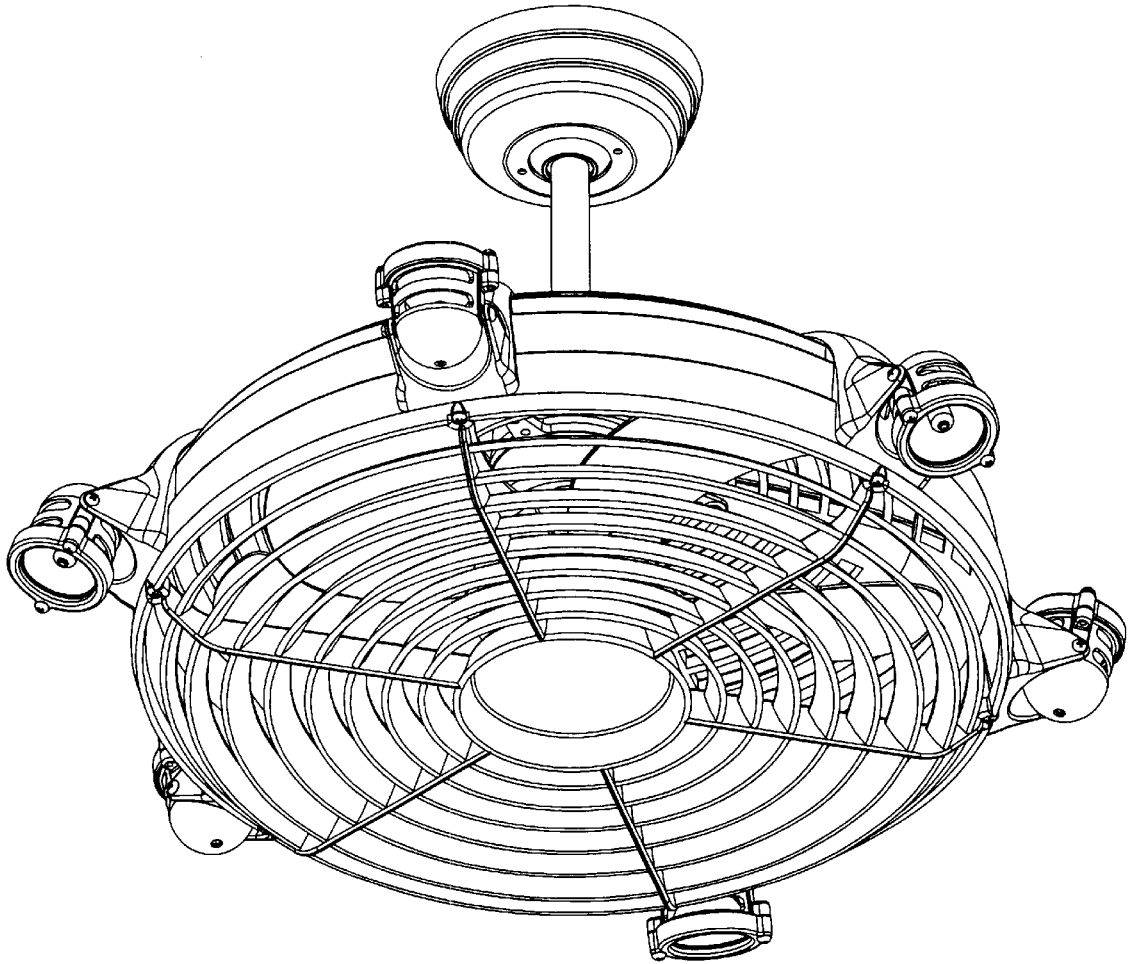


Fig. 6