



US00D661460S

(12) **United States Design Patent**  
**Roy**

(10) **Patent No.:** **US D661,460 S**

(45) **Date of Patent:** **\*\* Jun. 12, 2012**

- (54) **BELT**
- (75) Inventor: **Gregory J. Roy**, Sarasota, FL (US)
- (73) Assignee: **Reactor Tactical Gear, LLC**,  
Bradenton, FL (US)
- (\*\*) Term: **14 Years**

- D339,309 S \* 9/1993 Butler ..... D11/19
  - D340,664 S \* 10/1993 Butler ..... D11/19
  - D361,744 S \* 8/1995 Nyiry ..... D13/103
  - D361,877 S \* 9/1995 Ruiz ..... D2/627
  - D415,785 S \* 10/1999 Gettings ..... D17/20
  - D551,586 S \* 9/2007 Guild ..... D11/15
  - D555,328 S \* 11/2007 Gilbert-Biro et al. .... D2/624
  - 2010/0276320 A1\* 11/2010 Kim ..... 206/388
- \* cited by examiner

- (21) Appl. No.: **29/401,614**
- (22) Filed: **Sep. 13, 2011**
- (51) **LOC (9) Cl.** ..... **02-07**
- (52) **U.S. Cl.** ..... **D2/627**
- (58) **Field of Classification Search** ..... D2/624-640,  
D2/999; D11/3-4, 15, 19-20, 25, 93; 2/300,  
2/311-312, 321-322, 338; 224/682  
See application file for complete search history.

*Primary Examiner* — T. Chase Nelson  
*Assistant Examiner* — Kathleen M Sims  
 (74) *Attorney, Agent, or Firm* — Michael A. Myers;  
 Shumaker, Loop & Kendrick, LLP

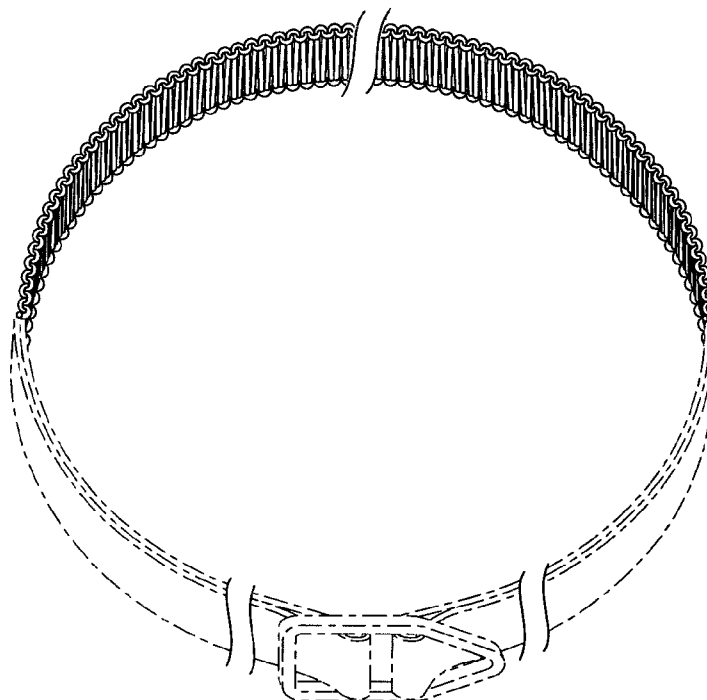
(57) **CLAIM**  
 The ornamental design for a belt, as shown and described.

**DESCRIPTION**

- (56) **References Cited**
- U.S. PATENT DOCUMENTS
- D7,791 S \* 10/1874 Bates ..... D2/637
  - D27,734 S \* 10/1897 Bigney ..... D11/15
  - 653,609 A \* 7/1900 Batt ..... 224/682
  - 1,173,998 A \* 2/1916 Depew ..... 217/93
  - 1,338,859 A \* 5/1920 Fogg ..... 2/300
  - D106,058 S \* 9/1937 Pomerantz ..... D2/632
  - D139,043 S \* 10/1944 Boots ..... D11/25
  - 2,499,717 A \* 3/1950 Bolinger ..... 2/321
  - D158,750 S \* 5/1950 Katz ..... D11/15
  - D161,189 S \* 12/1950 Knibb ..... D11/20
  - D178,674 S \* 9/1956 Katz ..... D11/4
  - D256,568 S \* 8/1980 Young ..... D11/25
  - D328,039 S \* 7/1992 Cowan ..... D11/19

FIG. 1 is an elevated perspective view of a belt showing my new design;  
 FIG. 2 is a top plan view thereof;  
 FIG. 3 is a bottom view thereof;  
 FIG. 4 is side view thereof; and,  
 FIG. 5 is another side view thereof.  
 The design is shown broken away in the figure views in order to indicate that a specific length of belt forms no part of the claimed design.  
 The broken line showing of belt segments and buckle is included for the purpose of illustrating environment and forms no part of the claimed design.

**1 Claim, 3 Drawing Sheets**



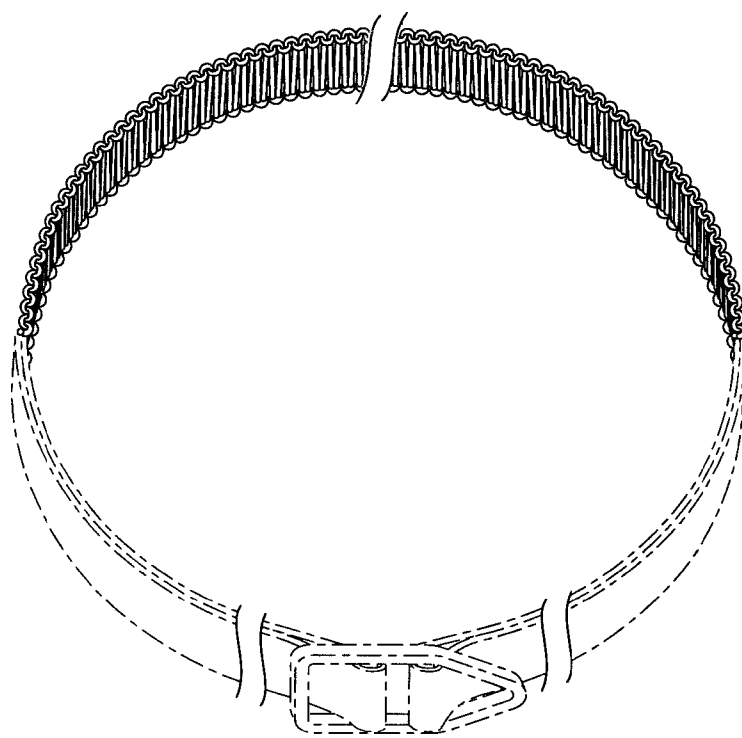


FIG. 1

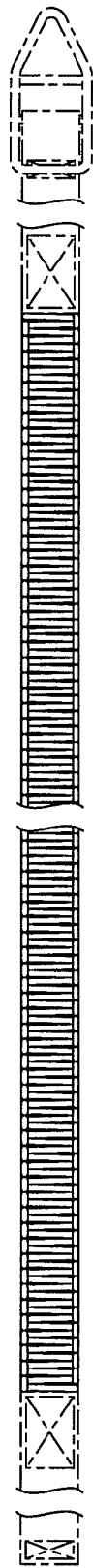


FIG. 2

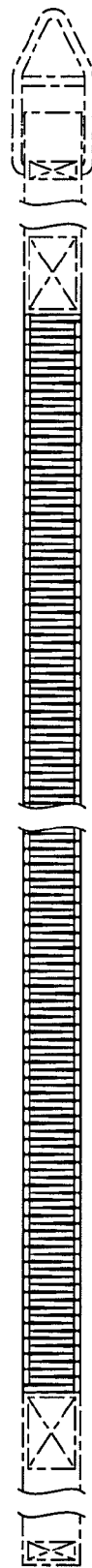


FIG. 3



FIG. 4



FIG. 5