



US00D663612S

(12) **United States Design Patent**
Pelc

(10) **Patent No.:** **US D663,612 S**

(45) **Date of Patent:** **** Jul. 17, 2012**

(54) **FASTENER**

(75) Inventor: **Robert J. Pelc**, Gaffney, SC (US)

(73) Assignee: **IPE Clip Fastener Company, LLC**,
Bradenton, FL (US)

(**) Term: **14 Years**

(21) Appl. No.: **29/387,720**

(22) Filed: **Mar. 17, 2011**

(51) **LOC (9) Cl.** **08-08**

(52) **U.S. Cl.** **D8/382**

(58) **Field of Classification Search** D8/382,
D8/349, 354, 380, 381, 395, 394; 52/281,
52/471, 489.2, 509, 712, 714, 715, 716, 38,
52/39; 403/14

See application file for complete search history.

(56) **References Cited**

U.S. PATENT DOCUMENTS

876,399 A	1/1908	Robinson
1,714,738 A	6/1928	Smith
1,879,459 A	9/1932	Pelton
2,065,525 A	12/1936	Hamilton
2,116,737 A	5/1938	Urbain
2,129,975 A	9/1938	Urbain
2,200,649 A	5/1940	Wardle
2,303,103 A	11/1942	Adams
2,848,758 A	8/1958	Chisholm
3,015,193 A	1/1962	Amoruso
3,237,360 A	3/1966	Mills
3,261,136 A	7/1966	Abner
3,331,180 A	7/1967	Vissing
3,577,694 A	5/1971	Omholt
4,117,644 A	10/1978	Weinar
4,281,494 A	8/1981	Weinar
4,296,580 A	10/1981	Weinar

4,333,286 A	6/1982	Weinar	
4,471,593 A *	9/1984	Ragland	52/489.2
4,616,462 A	10/1986	Abendroth	
4,621,473 A	11/1986	Wendt	
5,182,891 A	2/1993	Slocum	
5,501,050 A	3/1996	Ruel	
6,237,295 B1	5/2001	Ballard	
6,266,937 B1 *	7/2001	Watanabe	52/489.2
6,315,489 B1 *	11/2001	Watanabe	403/381
6,416,269 B1	7/2002	Martel	
D470,039 S	2/2003	Pelc	
6,560,943 B1 *	5/2003	Leek et al.	52/715
D485,160 S	1/2004	Pelc	
6,766,992 B1	7/2004	Parker	
6,830,405 B2 *	12/2004	Watanabe	403/14
D543,447 S *	5/2007	Allsopp	D8/394
D553,970 S *	10/2007	Allsopp	D8/395
7,398,623 B2	7/2008	Martel et al.	
D581,773 S *	12/2008	Meres et al.	D8/382

(Continued)

Primary Examiner — Sheryl Lane

(74) *Attorney, Agent, or Firm* — Michael A. Myers;
Shumaker, Loop & Kendrick, LLP

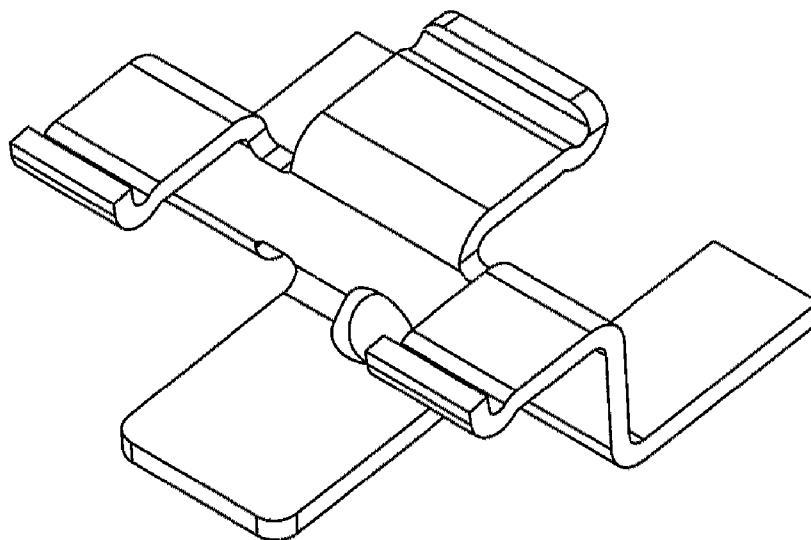
(57) **CLAIM**

I claim the ornamental design for a fastener, as shown and described.

DESCRIPTION

FIG. 1 is an isometric view, showing my new design;
FIG. 2 is a side view of the design of FIG. 1;
FIG. 3 is a top view of the design of FIG. 1;
FIG. 4 is another side view of the design of FIG. 1;
FIG. 5 is a bottom view of the design of FIG. 1;
FIG. 6 is a front view of the design of FIG. 1; and,
FIG. 7 is a rear view of the design of FIG. 1.

1 Claim, 7 Drawing Sheets



US D663,612 S

Page 2

U.S. PATENT DOCUMENTS

D591,585 S *	5/2009	Hikai	D8/382	D623,913 S	9/2010	Pelc	
D606,852 S *	12/2009	Boyd	D8/395	D625,580 S *	10/2010	Giordano	D8/349
D617,011 S	6/2010	Guffey		2001/0045075 A1 *	11/2001	Watanabe	52/712
D620,784 S *	8/2010	Hikai	D8/382	2002/0046536 A1 *	4/2002	Hotta	52/698

* cited by examiner

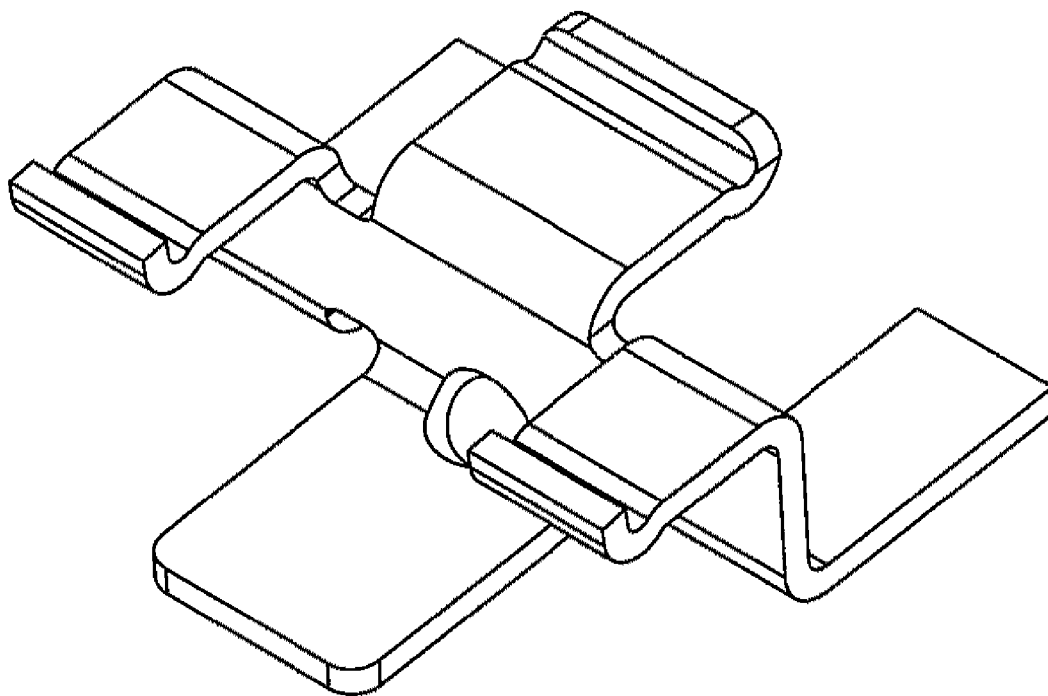


FIG. 1

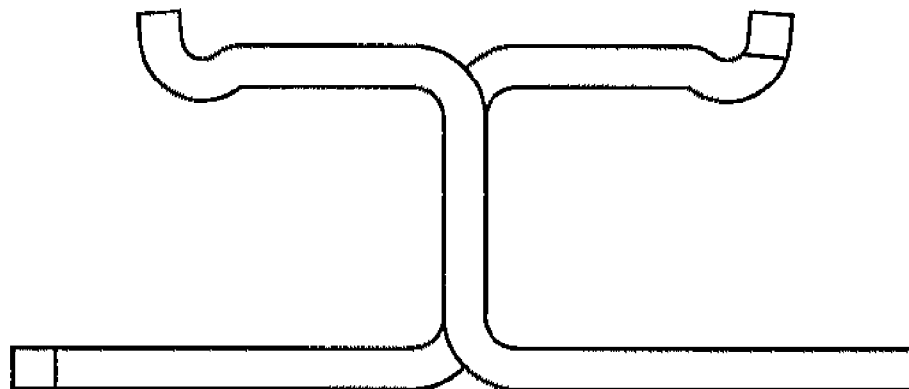


FIG. 2

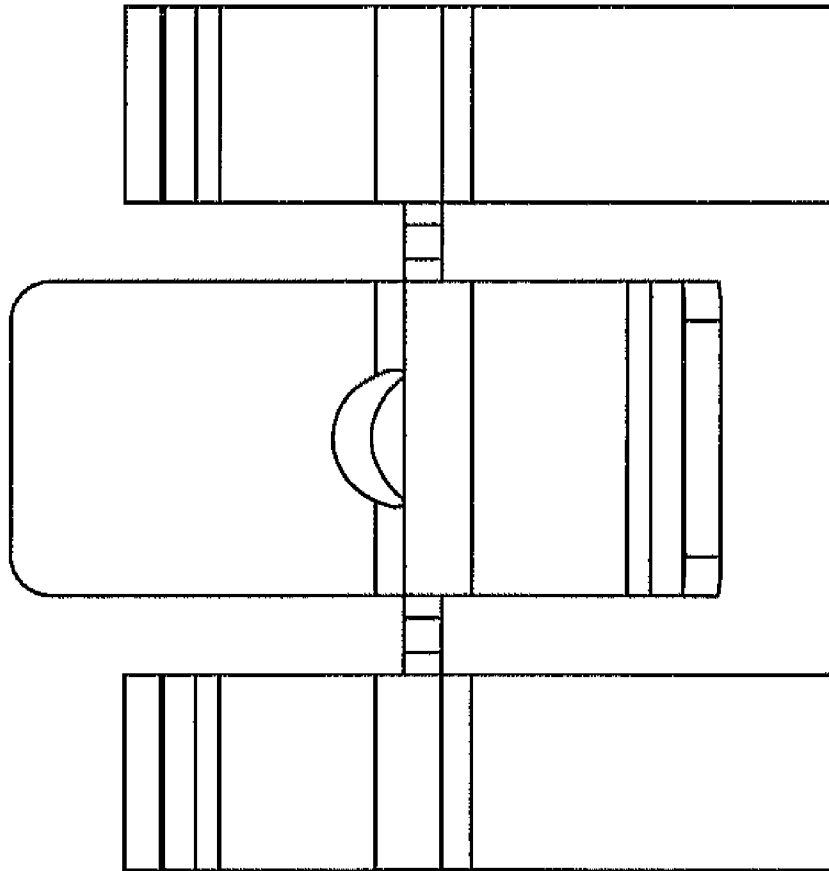


FIG. 3

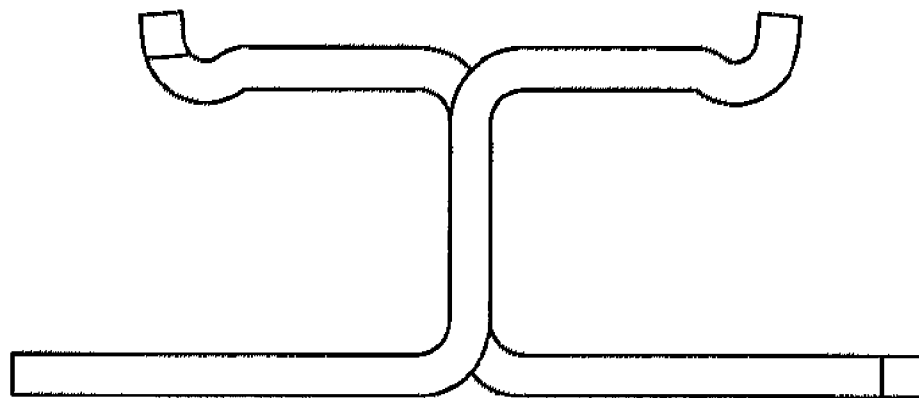


FIG. 4

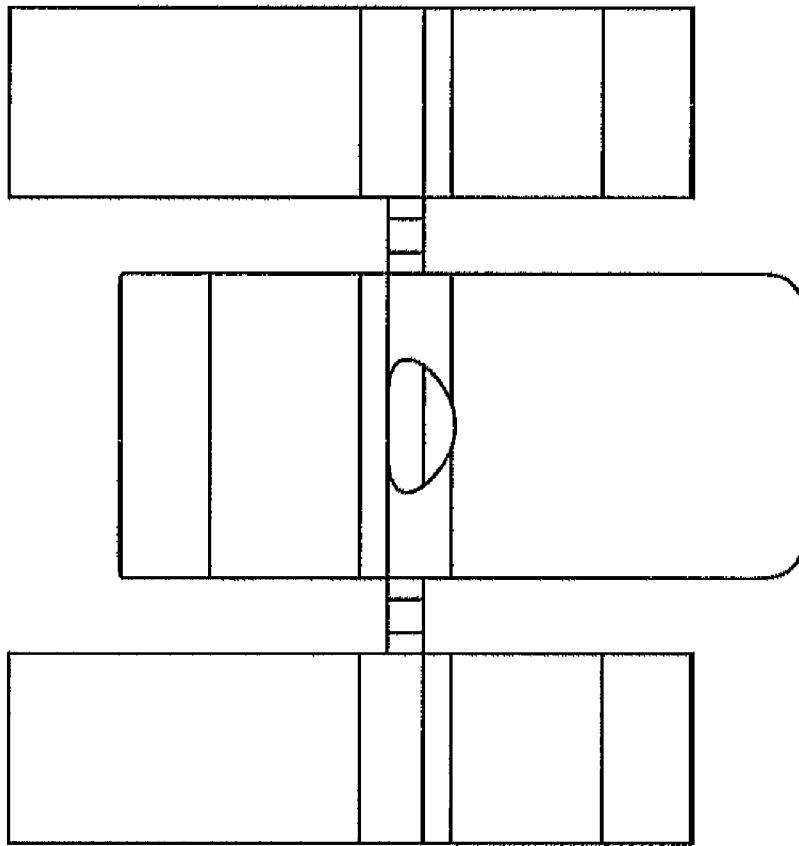


FIG. 5

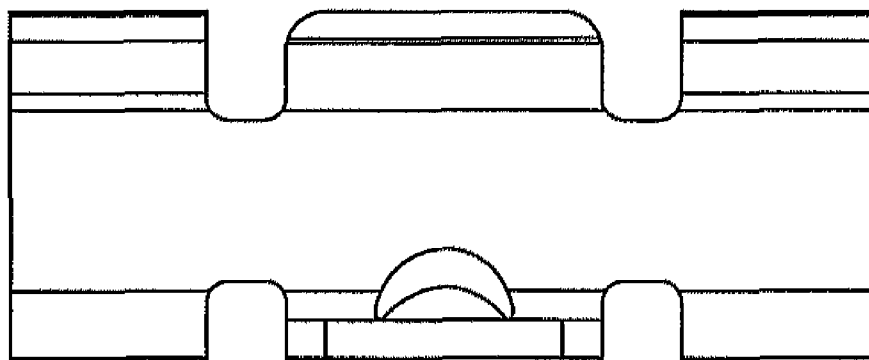


FIG. 6

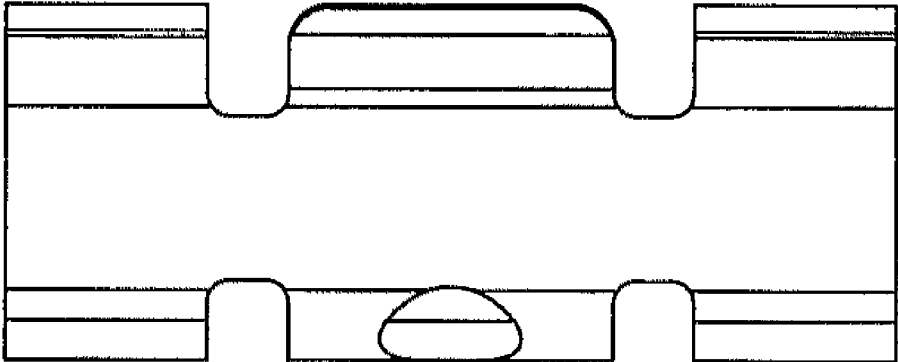


FIG. 7