



US00D738355S

(12) **United States Design Patent**  
**Smith et al.**

(10) **Patent No.:** **US D738,355 S**

(45) **Date of Patent:** **\*\* Sep. 8, 2015**

(54) **CONTROL**

(71) Applicant: **ATWOOD MOBILE PRODUCTS, LLC, Elkhart, IN (US)**

(72) Inventors: **Mark Smith, Buchanan, MI (US); Darren Grumm, Cassopolis, MI (US); Merle Miller, III, Granger, IN (US)**

(73) Assignee: **DOMETIC SWEDEN AB, Solna (SE)**

(\*\*) Term: **14 Years**

(21) Appl. No.: **29/466,312**

(22) Filed: **Sep. 6, 2013**

(51) **LOC (10) Cl.** ..... **14-03**

(52) **U.S. Cl.**  
USPC ..... **D14/218**

(58) **Field of Classification Search**  
USPC ..... D7/396.5, 388, 402; 126/385.1;  
D21/324; D6/407; D14/400, 218, 169;  
D13/162, 168; D10/237; D16/237;  
D19/86  
See application file for complete search history.

(56) **References Cited**

**U.S. PATENT DOCUMENTS**

D39,588	S	*	9/1908	Straker	.....	D7/396.5
1,621,315	A	*	3/1927	D'Evlyn	.....	126/385.1
D259,008	S	*	4/1981	Cochrane et al.	.....	D6/306
D266,471	S	*	10/1982	Symington	.....	D6/309
D314,592	S	*	2/1991	Feurey	.....	D21/324
D383,620	S	*	9/1997	Smith et al.	.....	D6/407
D394,159	S	*	5/1998	Leung	.....	D6/309
D421,873	S	*	3/2000	Sundberg	.....	D7/396.5
D431,114	S	*	9/2000	Smith et al.	.....	D6/309
D432,356	S	*	10/2000	Hoff et al.	.....	D7/402
D459,094	S	*	6/2002	Stone et al.	.....	D6/309
D526,973	S	*	8/2006	Gates et al.	.....	D13/184

D530,525	S	*	10/2006	Greene, II	.....	D6/309
D540,395	S	*	4/2007	Bailey	.....	D21/333
D542,091	S	*	5/2007	Hoff et al.	.....	D7/409
D561,113	S	*	2/2008	Samhammer et al.	.....	D13/162
D596,452	S	*	7/2009	Komorski	.....	D7/388

(Continued)

**FOREIGN PATENT DOCUMENTS**

CN	302044081	*	8/2012
CN	302304821	*	1/2013

**OTHER PUBLICATIONS**

Product Review—Pure Sensia 200D Connect Internet table radio—, Announced Jan. 9, 2013, [Site Visited Nov. 17, 2014]<http://homenetworking01.info/2013/01/product-reviewpure-sensia-200d-connect-internet-table-radio/>.\*

(Continued)

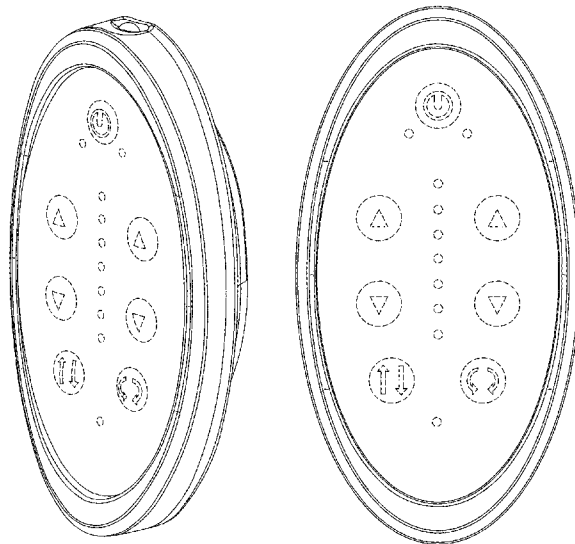
*Primary Examiner* — Eric Goodman  
*Assistant Examiner* — Luqman McNeil  
(74) *Attorney, Agent, or Firm* — Middleton Reutlinger

(57) **CLAIM**  
The ornamental design for a control, as shown and described.

**DESCRIPTION**

FIG. 1 is an isometric view of the control showing our design; FIG. 2 is a front view of the design of FIG. 1; FIG. 3 is a rear view of the design of FIG. 1; FIG. 4 is a side view of the design of FIG. 1; FIG. 5 is another side view if the design of FIG. 1; FIG. 6 is a top view of the design of FIG. 1; and, FIG. 7 is a bottom view of the design of FIG. 1. The phantom lines shown in the figures are for purposes of showing the environment only and form no part of the claimed invention.

**1 Claim, 7 Drawing Sheets**



(56)

**References Cited**

U.S. PATENT DOCUMENTS

D601,564 S \* 10/2009 Maeno ..... D14/400  
D632,265 S \* 2/2011 Choi et al. .... D13/168  
D652,675 S \* 1/2012 Miller ..... D7/402  
D660,732 S \* 5/2012 Bould et al. .... D10/50  
D677,180 S \* 3/2013 Plitkins et al. .... D10/50  
D689,701 S \* 9/2013 Mischel et al. .... D6/309  
D700,233 S \* 2/2014 Kim ..... D16/237  
D704,166 S \* 5/2014 Sung ..... D14/218

D705,355 S \* 5/2014 Webster ..... D19/86  
D709,048 S \* 7/2014 Ganske et al. .... D14/169  
2003/0122698 A1 \* 7/2003 Horie et al. .... 341/176

OTHER PUBLICATIONS

Photo: Philips 58PFL8900 TV private cinema to enjoy the country's first test, Announced Dec. 29, 2011, [Site Visited Nov. 17, 2014] <http://www.instant-news.us/news-490280.html>.\*

\* cited by examiner

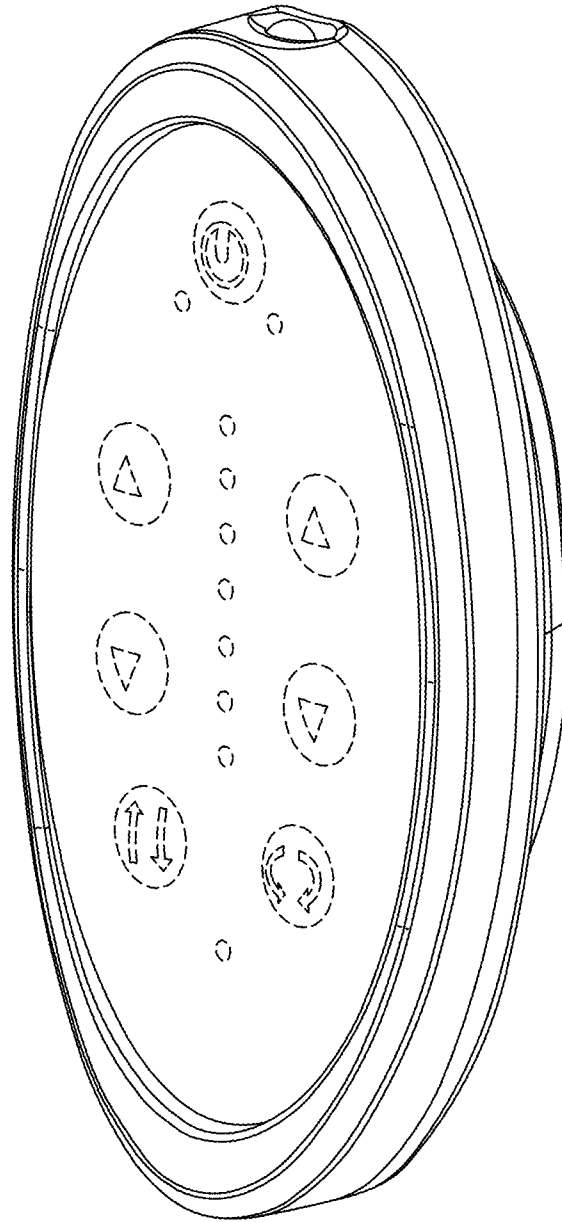


FIG. 1

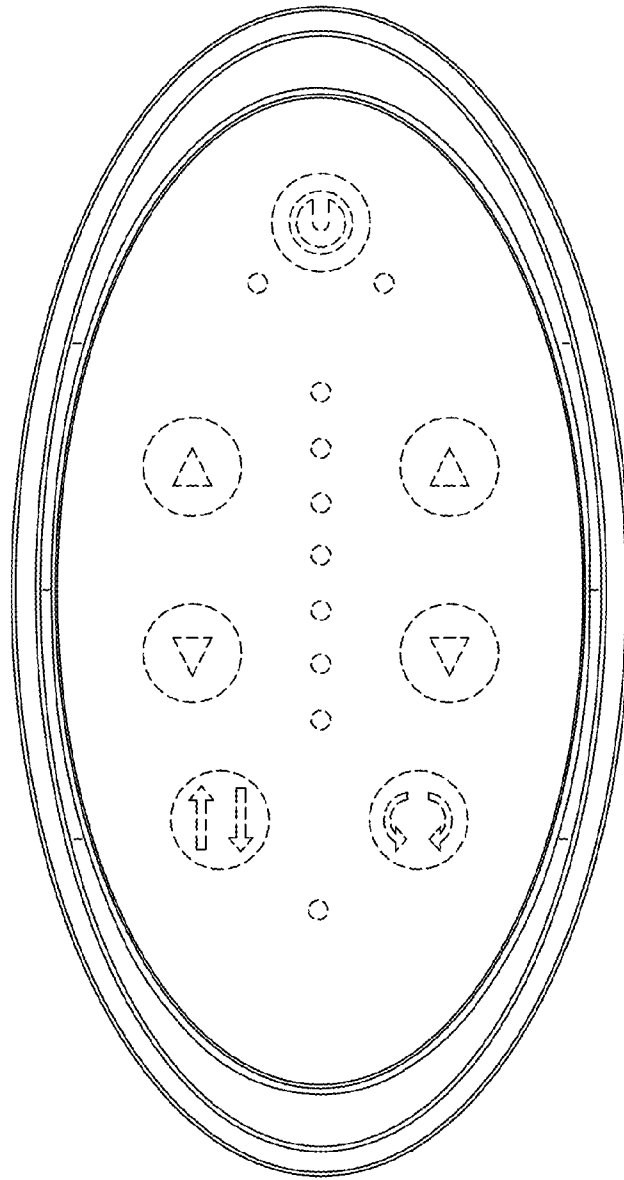


FIG. 2

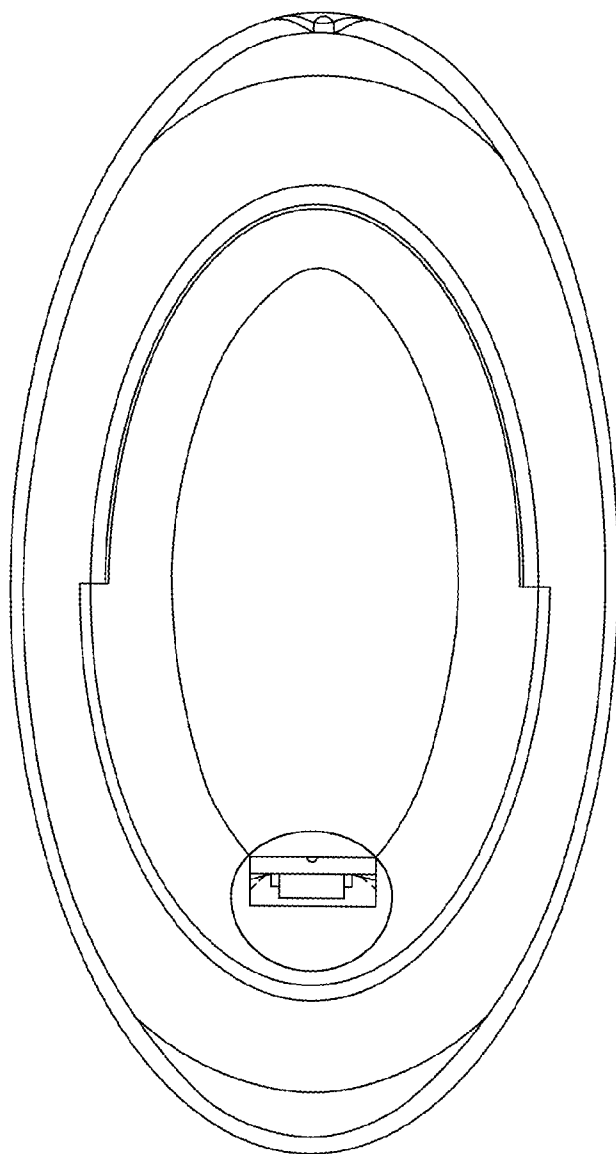


FIG. 3

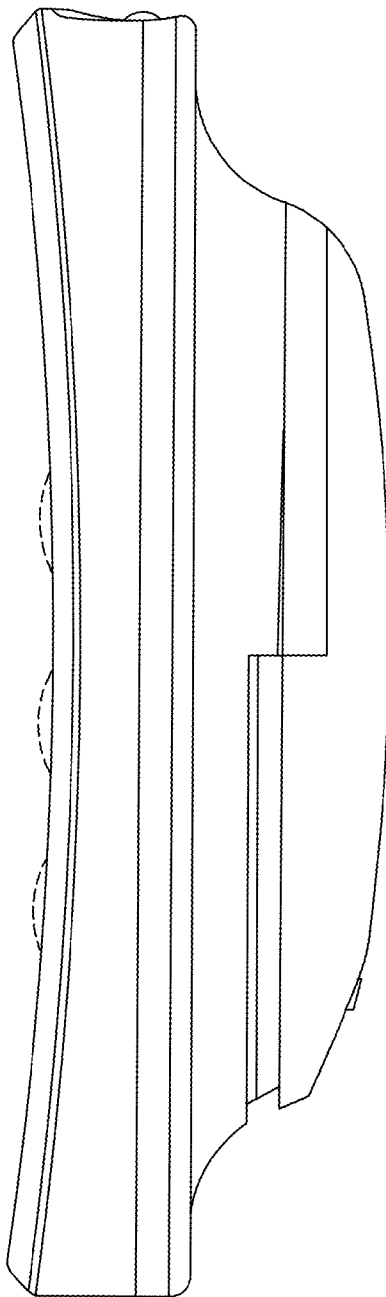


FIG. 4

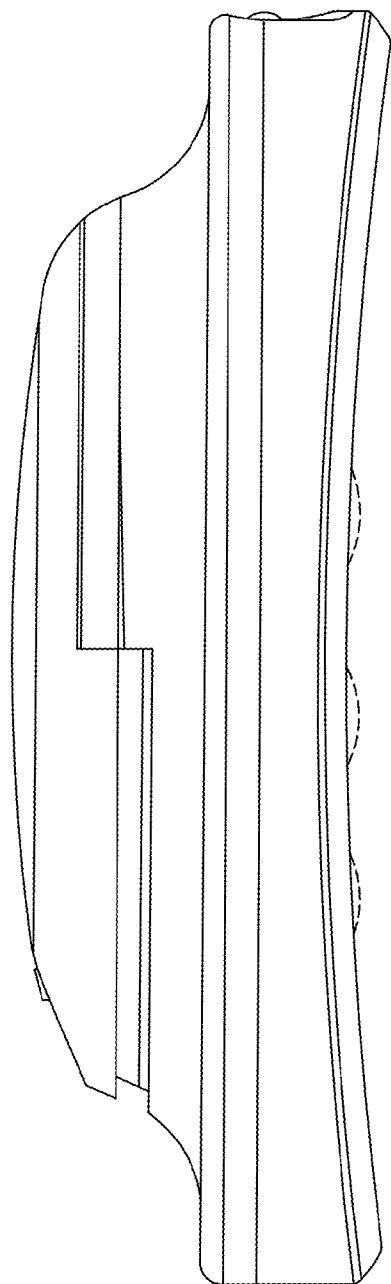


FIG. 5

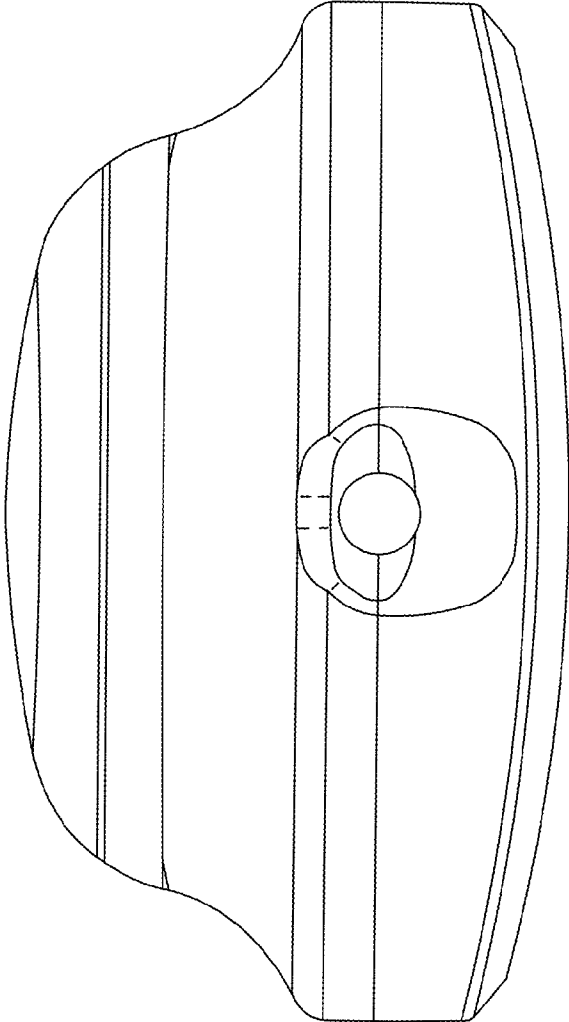


FIG. 6



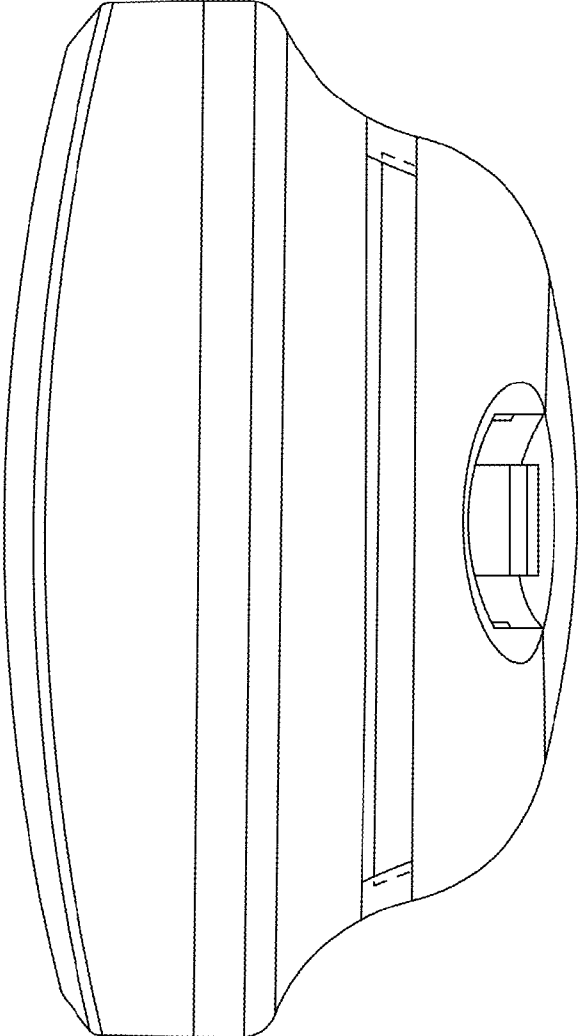


FIG. 7