



(12) **United States Design Patent**
Smith et al.

(10) **Patent No.:** **US D757,691 S**
(45) **Date of Patent:** **** May 31, 2016**

(54) **CONTROL**

(71) Applicant: **DOMETIC SWEDEN AB**, Solna (SE)

(72) Inventors: **Mark Smith**, Buchanan, MI (US);
Darren Grumm, Cassopolis, MI (US);
Merle Miller, III, Granger, IN (US)

(73) Assignee: **Dometic Sweden AB**, Solna (SE)

(**) Term: **14 Years**

(21) Appl. No.: **29/515,632**

(22) Filed: **Jan. 26, 2015**

Related U.S. Application Data

(62) Division of application No. 29/466,312, filed on Sep. 6, 2013, now Pat. No. Des. 738,355.

(51) **LOC (10) Cl.** **14-03**

(52) **U.S. Cl.**
USPC **D14/218**; D13/168

(58) **Field of Classification Search**
USPC D14/218, 412, 400, 420, 169;
D7/396.5, 396.1, 402, 409, 387;
D6/306, 309, 407, 409, 387; D21/324,
D21/710, 402; 341/176, 173; D13/171, 168,
D13/162, 108; D10/49; 340/12.15;
D16/237; D19/86
CPC A21B 3/13; G06F 3/0231; H04B 1/202;
G08C 17/02
See application file for complete search history.

(56) **References Cited**

U.S. PATENT DOCUMENTS

D39,588 S * 9/1908 Straker D7/396.5
1,621,315 A * 3/1927 Elizabeth A21B 3/13
126/385.1

D259,008 S * 4/1981 Cochrane D6/306
D266,471 S * 10/1982 Symington D6/309
D314,592 S * 2/1991 Feurey D21/324

(Continued)

FOREIGN PATENT DOCUMENTS

CN 302044081 * 8/2012
CN 302304821 * 1/2013
CN 302641562 * 11/2013

OTHER PUBLICATIONS

Product Review-Pure Sensia 200D Connect Internet table radio—, Announced Jan. 9, 2013, [Site Visited Jan. 4, 2016]http://homenetworking01.info/2013/01/product-reviewpure-sensia-200d-connect-internet-table-radio/.*

(Continued)

Primary Examiner — John Windmuller
Assistant Examiner — Luqman McNeil
(74) *Attorney, Agent, or Firm* — Middleton Reutlinger

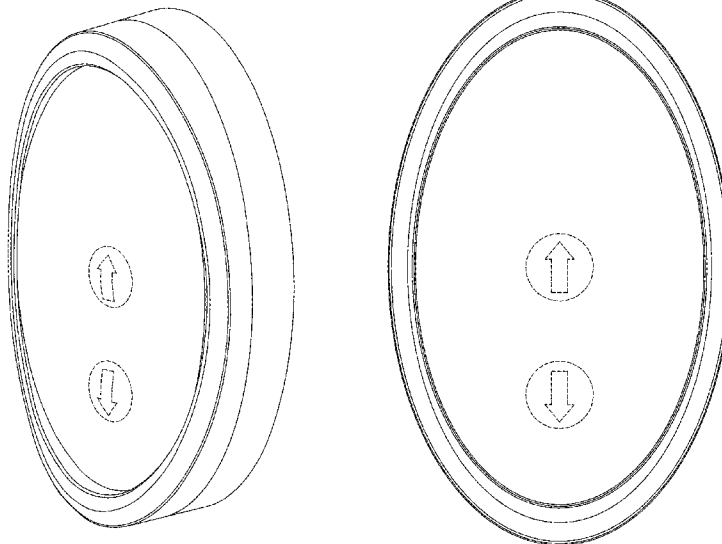
(57) **CLAIM**

The ornamental design for a control, as shown and described.

DESCRIPTION

FIG. 1 is an isometric view of the control showing our new design;
FIG. 2 is a front view of the design of FIG. 1;
FIG. 3 is a rear view of the design of FIG. 1;
FIG. 4 is a side view of the design of FIG. 1;
FIG. 5 is another side view of the design of FIG. 1;
FIG. 6 is a top view of the design of FIG. 1; and
FIG. 7 is a bottom view of the design of FIG. 1.
The broken lines are included for the purpose of illustrating portions of the control that form no part of the claimed design.

1 Claim, 7 Drawing Sheets



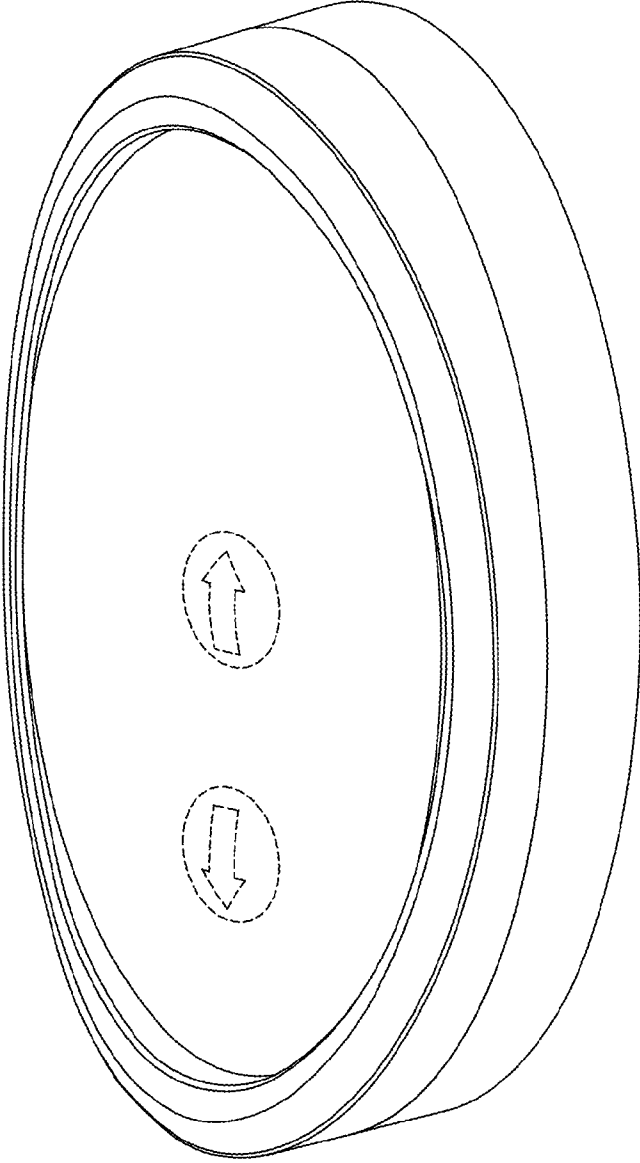


Fig. 1

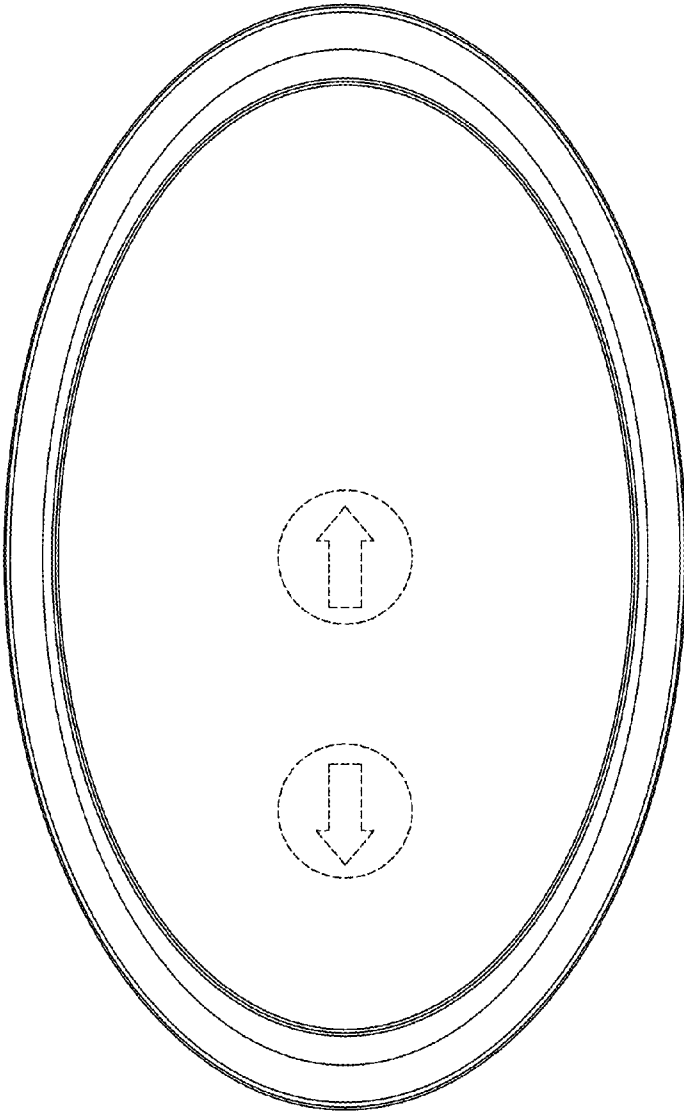


Fig. 2

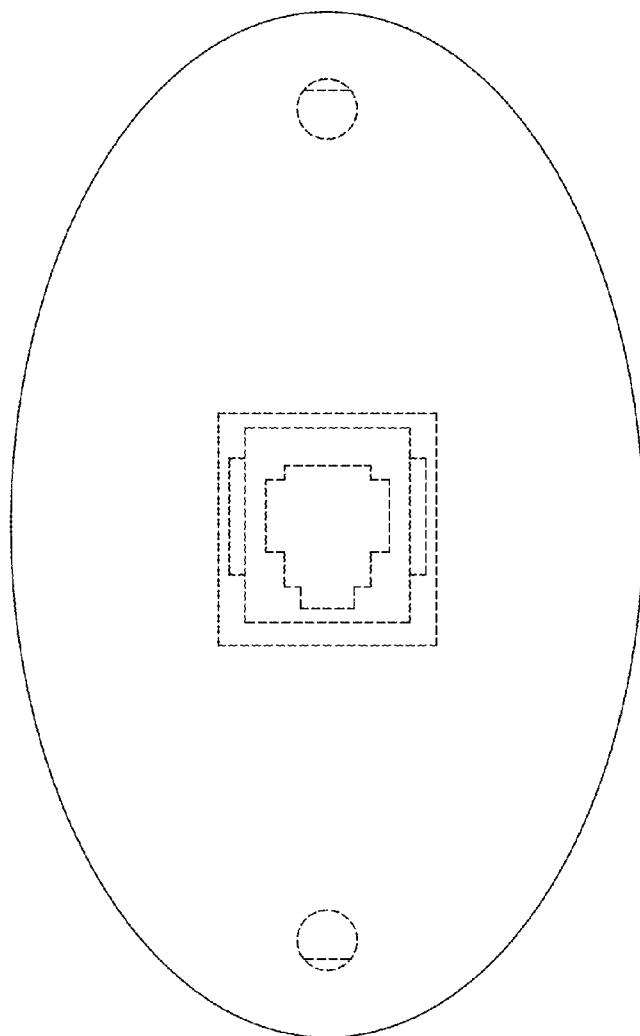


Fig. 3

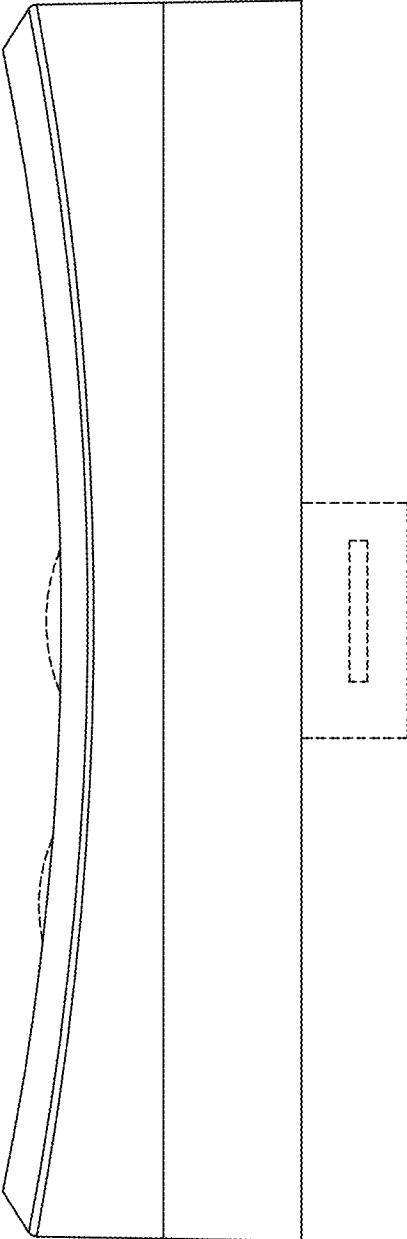


Fig. 4

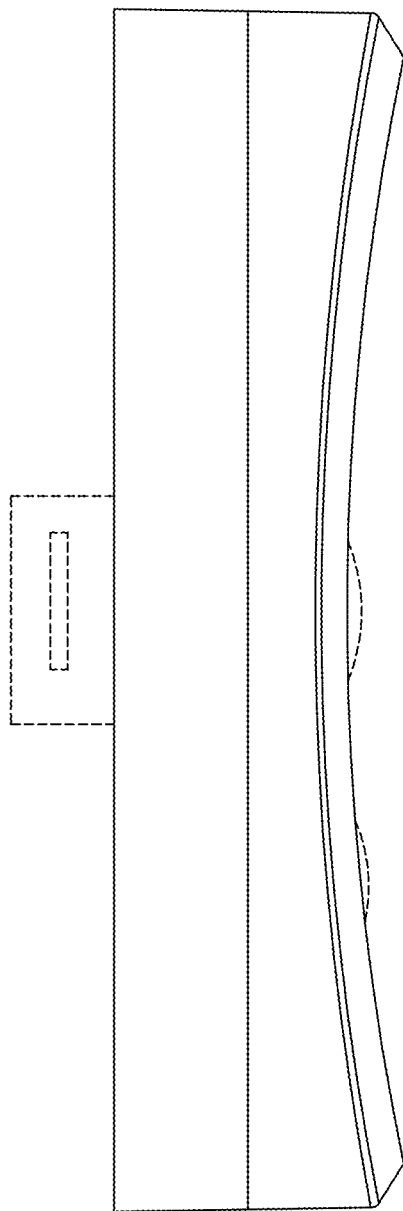


Fig. 5

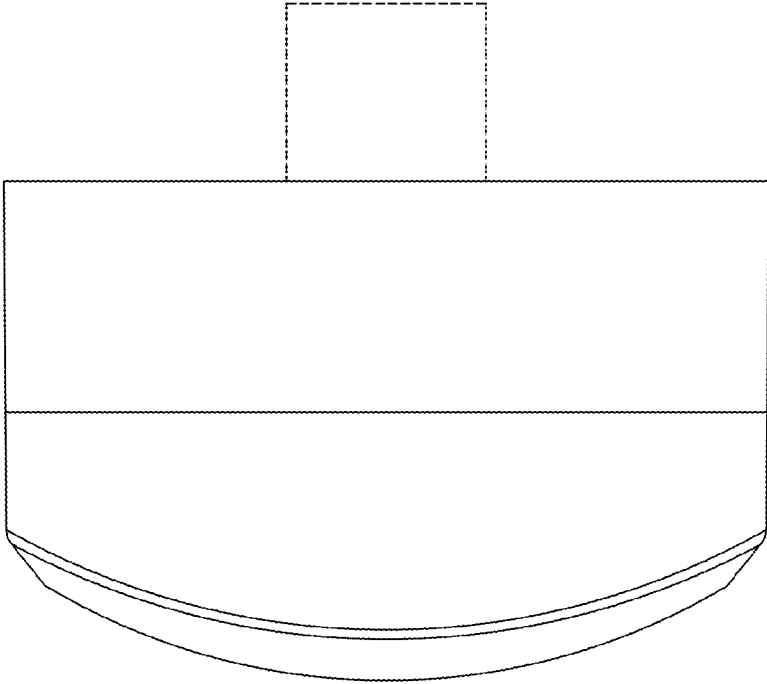


Fig. 6

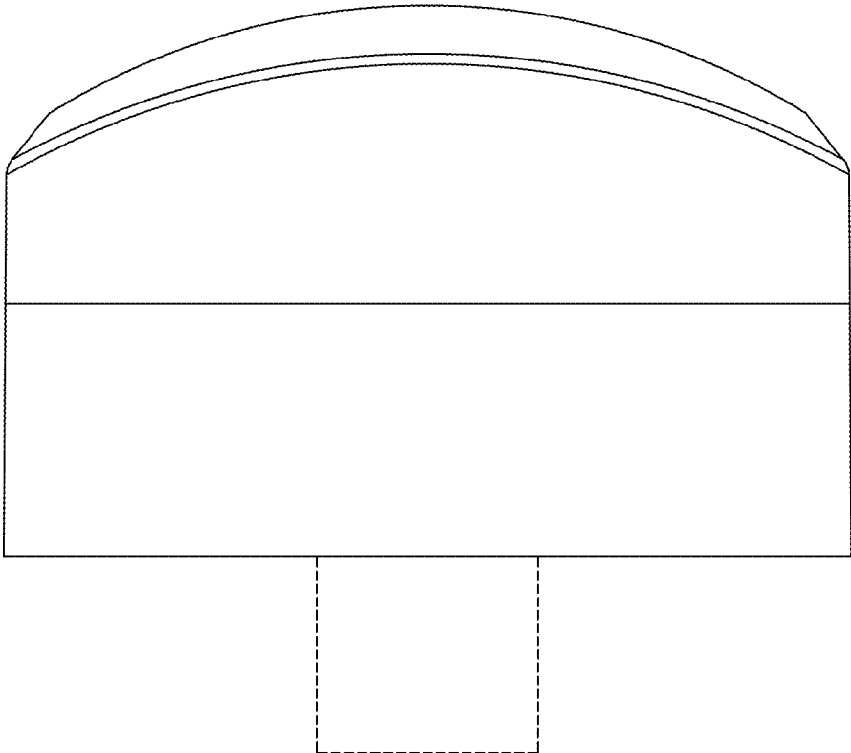


Fig. 7