



(12) **United States Design Patent**  
**Smith et al.**

(10) **Patent No.:** **US D761,232 S**  
(45) **Date of Patent:** **\*\* Jul. 12, 2016**

(54) **CONTROL**

(71) Applicant: **DOMETIC SWEDEN AB**, Solna (SE)

(72) Inventors: **Mark Smith**, Buchanan, MI (US);  
**Darren Grumm**, Cassopolis, MI (US);  
**Merle Miller, III**, Granger, IN (US)

(73) Assignee: **Dometic Sweden AB**, Solna (SE)

(\*\*) Term: **14 Years**

(21) Appl. No.: **29/515,685**

(22) Filed: **Jan. 26, 2015**

**Related U.S. Application Data**

(62) Division of application No. 29/466,312, filed on Sep. 6, 2013, now Pat. No. Des. 738,355.

(51) **LOC (10) Cl.** ..... **14-03**

(52) **U.S. Cl.**  
USPC ..... **D14/218**; D13/168

(58) **Field of Classification Search**  
USPC ..... D14/218, 412, 400, 420, 169;  
D7/396.5, 396.1, 402, 409, 387;  
D6/306, 309, 407, 300; D21/324, 710,  
D21/402; 341/176, 173; D13/171, 168, 162,  
D13/108; D10/49; 340/12.15; D16/237;  
D19/86  
CPC ..... A21B 3/13; G06F 3/0231; H04B 1/202;  
G08C 17/02  
See application file for complete search history.

(56) **References Cited**

**U.S. PATENT DOCUMENTS**

D39,588 S \* 9/1908 Straker ..... D7/396.5  
1,621,315 A \* 3/1927 Evlyn ..... A21B 3/13  
126/385.1

D259,008 S \* 4/1981 Cochrane ..... D6/306  
D266,471 S \* 10/1982 Symington ..... D6/309  
D314,592 S \* 2/1991 Feurey ..... D21/324

(Continued)

**FOREIGN PATENT DOCUMENTS**

CN 302044081 \* 8/2012  
CN 302304821 \* 1/2013  
CN 302641562 \* 11/2013

**OTHER PUBLICATIONS**

Product Review-Pure Sensia 200D Connect Internet table radio—, Announced Jan. 9, 2013, [Site Visited Jan. 4, 2016]http://homenetworking01.info/2013/01/product-reviewpure-sensia-200d-connect-internet-table-radio/.\*

(Continued)

*Primary Examiner* — John Windmuller  
*Assistant Examiner* — Luqman McNeil  
(74) *Attorney, Agent, or Firm* — Middleton Reutlinger

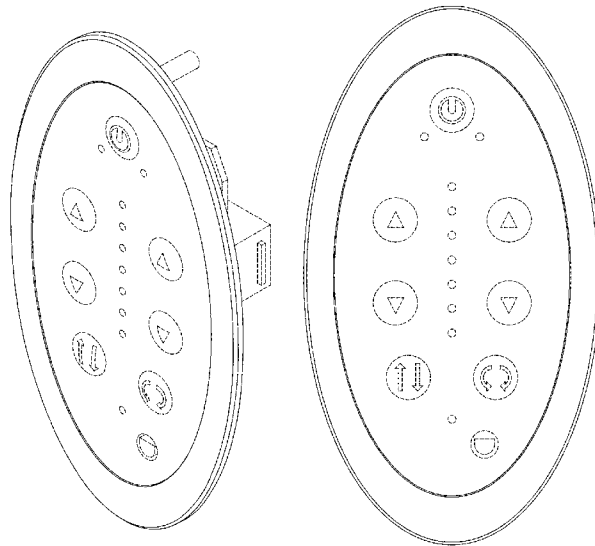
(57) **CLAIM**

The ornamental design for a control, as shown and described.

**DESCRIPTION**

FIG. 1 is an isometric view of the control showing one new design;  
FIG. 2 is a front view of the design of FIG. 1;  
FIG. 3 is a rear view of the design of FIG. 1;  
FIG. 4 is a side view of the design of FIG. 1;  
FIG. 5 is another side view of the design of FIG. 1;  
FIG. 6 is a top view of the design of FIG. 1; and,  
FIG. 7 is a bottom view of the design of FIG. 1.  
The broken lines are included for the purpose of illustrating portions of the control that form no part of the claimed design.

**1 Claim, 7 Drawing Sheets**



(56)

**References Cited****U.S. PATENT DOCUMENTS**

D383,620 S \* 9/1997 Smith ..... D6/407  
D394,159 S \* 5/1998 Leung ..... D6/300  
D421,873 S \* 3/2000 Sundberg ..... D7/396.1  
D431,114 S \* 9/2000 Smith ..... D21/710  
D432,356 S \* 10/2000 Hoff ..... D7/402  
D459,094 S \* 6/2002 Stone ..... D6/309  
D501,652 S \* 2/2005 Pierson ..... D13/171  
D526,973 S \* 8/2006 Gates ..... D13/168  
D530,525 S \* 10/2006 Greene, II ..... D6/309  
D540,395 S \* 4/2007 Bailey ..... D14/412  
D542,091 S \* 5/2007 Hoff ..... D7/409  
D561,113 S \* 2/2008 Samhammer ..... D13/162  
7,388,536 B2 \* 6/2008 Kim ..... H04B 1/202  
341/173  
D596,452 S \* 7/2009 Komorski ..... D7/387  
D601,564 S \* 10/2009 Maeno ..... D14/400  
D626,963 S \* 11/2010 Kim ..... D14/420  
D632,265 S \* 2/2011 Choi ..... D13/168  
D652,675 S \* 1/2012 Miller ..... D7/402  
D660,732 S \* 5/2012 Bould ..... D10/49  
8,188,842 B2 \* 5/2012 Otsuka ..... G08C 17/02  
340/12.15  
D673,512 S \* 1/2013 Huang ..... D13/168

D676,377 S \* 2/2013 Nokuo ..... D13/108  
D677,180 S \* 3/2013 Plitkins ..... D10/49  
D689,701 S \* 9/2013 Mischel, Jr. .... D6/309  
D697,510 S \* 1/2014 Sato ..... D14/420  
D700,233 S \* 2/2014 Kim ..... D16/237  
D701,841 S \* 4/2014 Huang ..... D13/168  
D704,166 S \* 5/2014 Sung ..... D14/218  
D705,355 S \* 5/2014 Webster ..... D19/86  
D709,048 S \* 7/2014 Ganske ..... D14/169  
2003/0122698 A1 \* 7/2003 Horie ..... G06F 3/0231  
341/176

**OTHER PUBLICATIONS**

Photo: Philips 58PFL8900 TV private cinema to enjoy the country's first test, Announced Dec. 29, 2011, [Site Visited Jan. 4, 2016] <http://www.instant-news.us/news-490280.html>. \*

Product Review-Pure Sensia 200D Connect internet table radio -, Announced Jan. 9, 2013, [Site Visited Nov. 17, 2014] <http://homenetworking01.info/2013/01/product-reviewpure-sensia-200d-connect-internet-table-radio/>.

Photo: Philips 58PFL8900 TV private cinema to enjoy the country's first test, Announced Dec. 29, 2011, [Site Visited Nov. 7, 2014] <http://www.instant-news.us/news-490280.html>.

\* cited by examiner

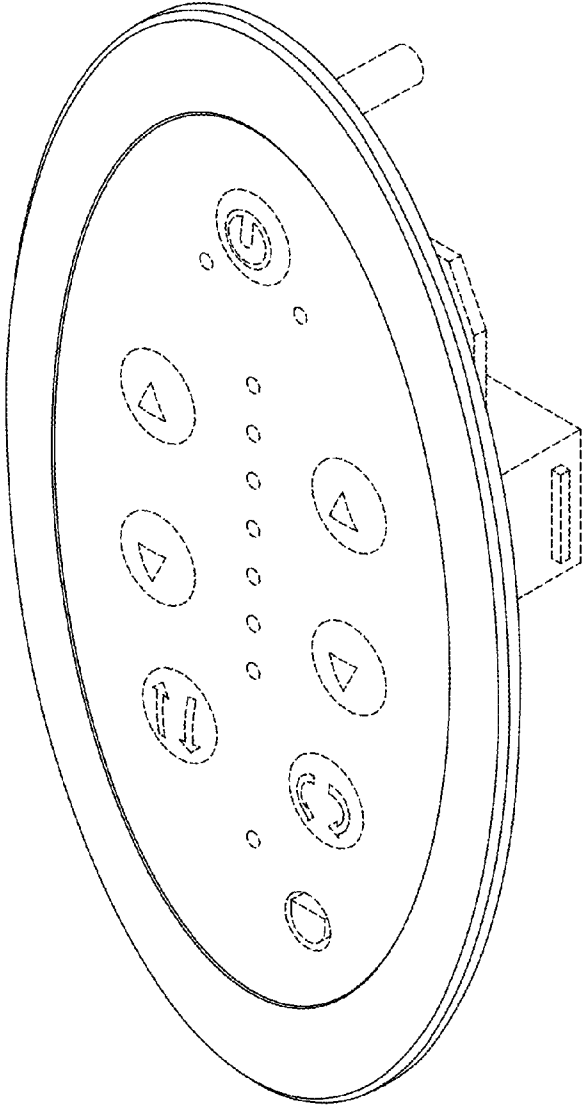


Fig. 1

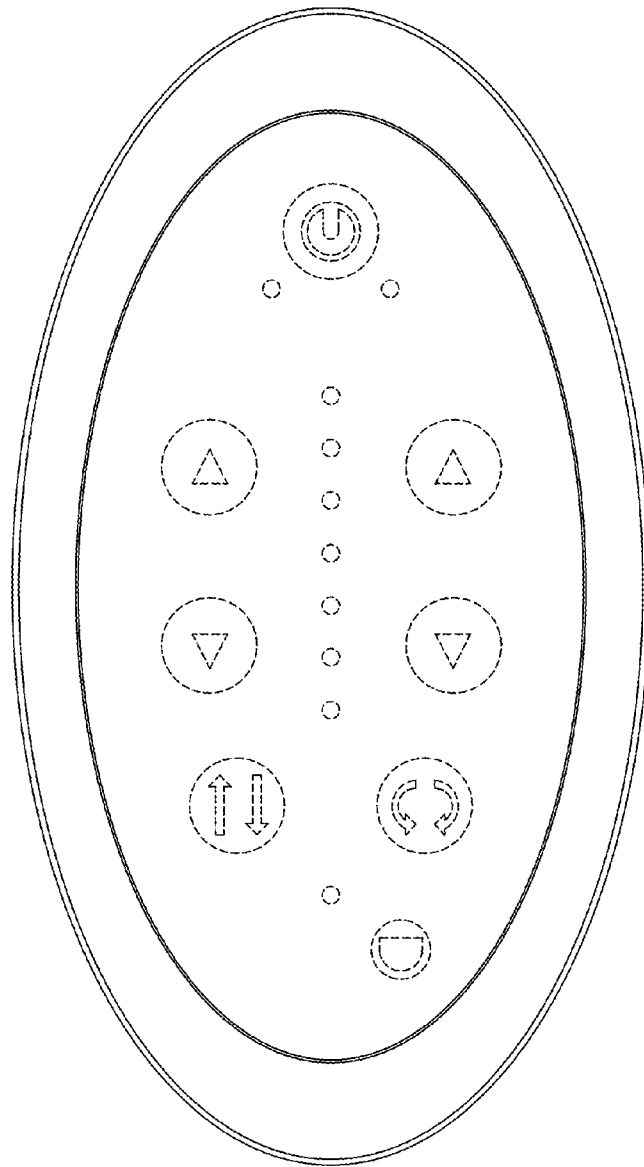


Fig. 2

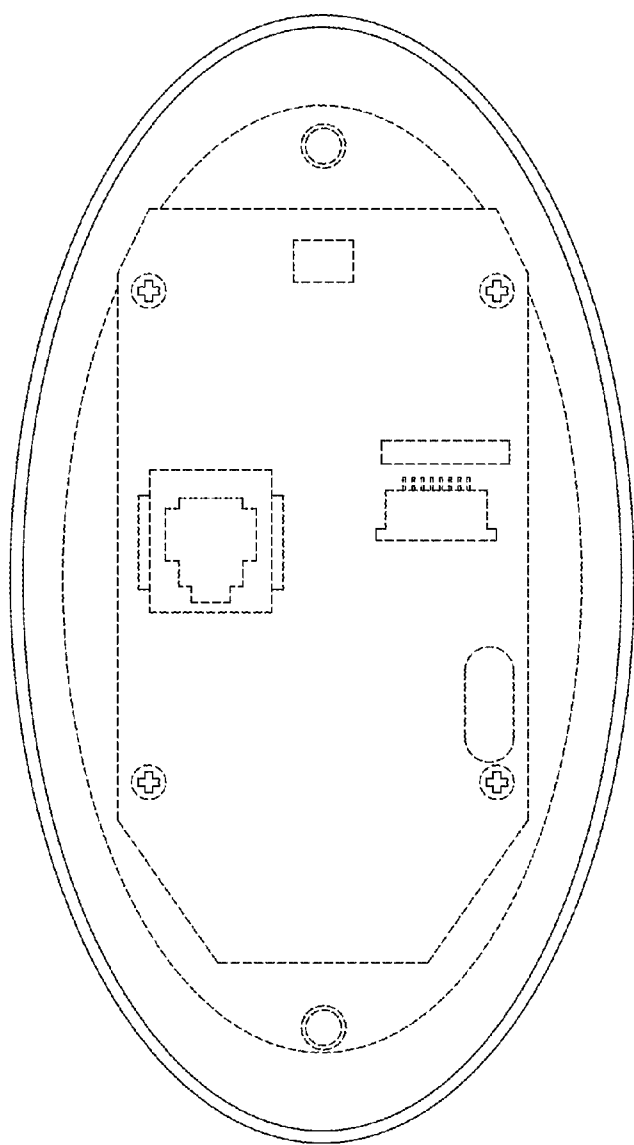


Fig. 3

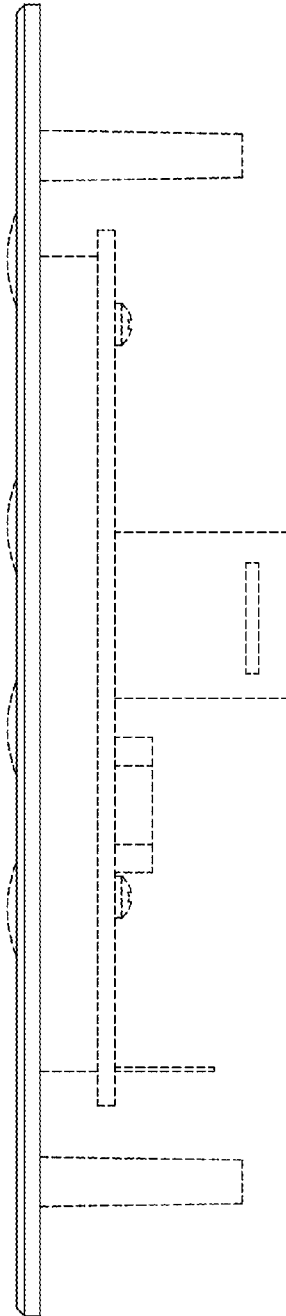


Fig. 4

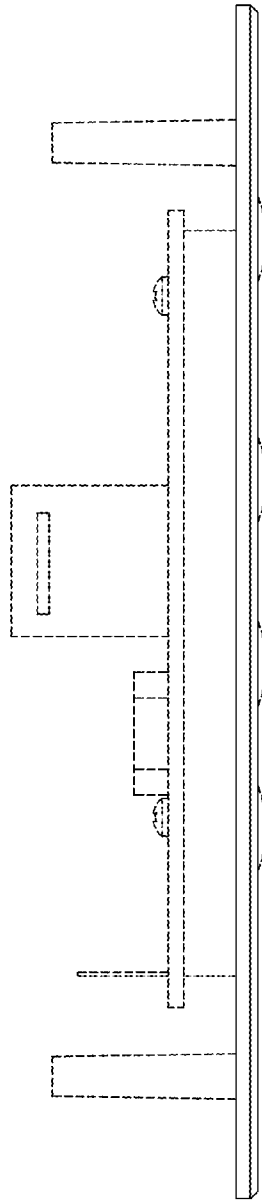


Fig. 5

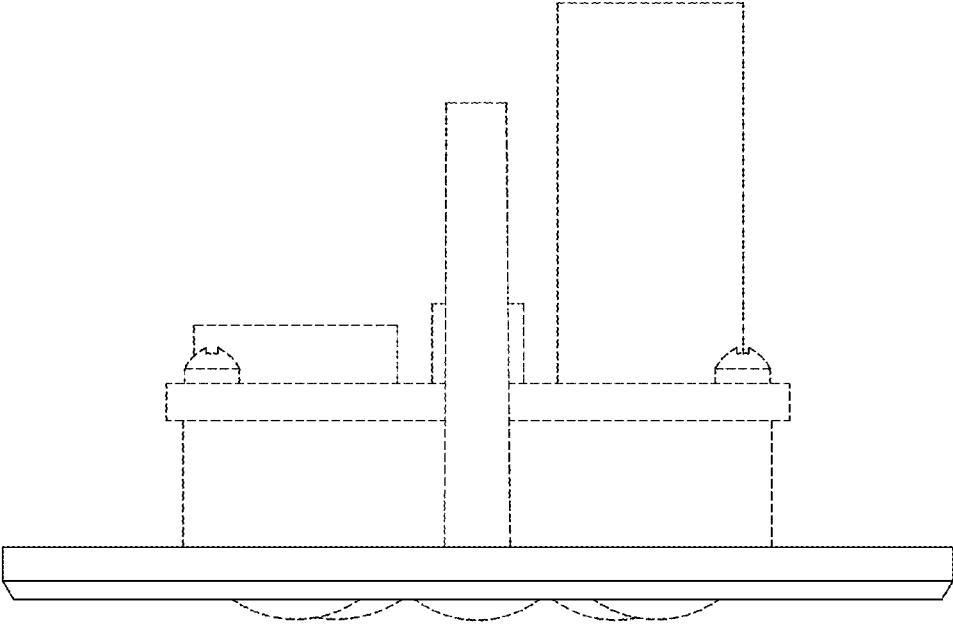


Fig. 6



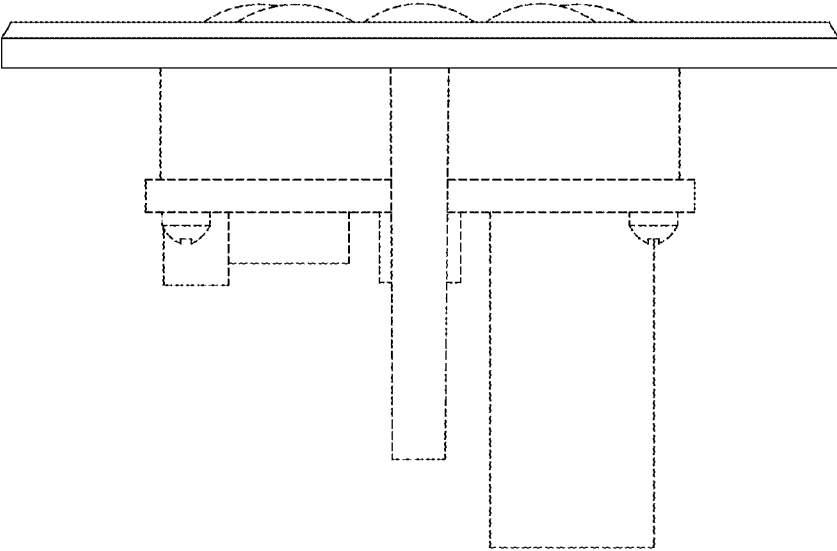


Fig. 7